

# S62



## THE MOST COMPLETE UNIVERSAL SENSOR IN A COMPACT 50X50 MM HOUSING

- Sensors with red, infrared LED or LASER emission
- Background suppression from 3 cm to 2 m
- Polarized retroreflective up to 20 m
- Multivoltage 24-240Vac/24-60Vdc with Relay output
- NPN/PNP output NO-NC configuration

### APPLICATIONS

- Processing and Packaging machinery
- Conveyor lines, material handling



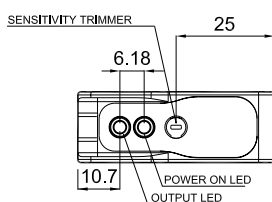
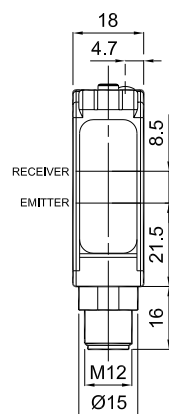
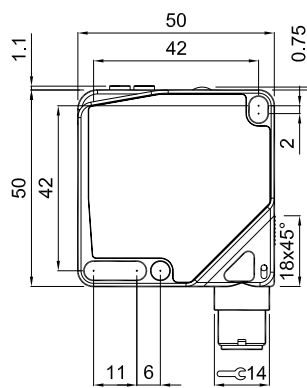
S62		
<b>Through beam</b>		0...25 m
<b>Retroreflective (on R2 reflector)</b>		0,1...13 m
<b>Polarized retroreflective</b>		0,1...8 m
		0,3...20 m (class 2 LASER)
<b>Diffuse proximity</b>		short 0...900 mm, long 0...2000 mm
		0...900 mm (class 2 LASER)
<b>Background suppression</b>		short 30...300 mm
		medium 60...600 mm
		long 60...1200 mm
		very long 200...2000 mm
		short LASER 30...150 mm (class 2 LASER)
		long LASER 50...350 mm (class 2 LASER)
<b>Power supply</b>	Vdc	10...30 V
	Vac	
	Vac/dc	24/240 Vac/24...60 Vdc
<b>Output</b>	PNP	•
	NPN	•
	NPN/PNP	•
	relay	•
	other	•
<b>Connection</b>	cable	•
	connector	•
	pig-tail	
<b>Approximate dimensions (mm)</b>		18x50x50
<b>Housing material</b>		ABS
<b>Mechanical protection</b>		IP67

# TECHNICAL DATA

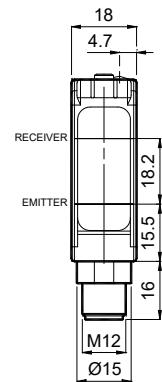
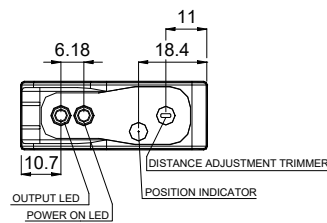
<b>Power supply</b>	10 ... 30 Vdc (mod. S62...2/5) 24...240 Vac/ 24...60 Vdc (mod. S62...1)
<b>Ripple</b>	2 Vpp max. (mod. S62...2/5), 10% max. (mod. S62...1)
<b>Consumption (output current excluded)</b>	30 mA max. (mod. S62...2/5) 3 VA max. (mod. S62...1)
<b>Light emission</b>	red LED 640 nm (mod. S62-PA...A/B/C/G/M01/M05/M11/M15) IR LED 880 nm (mod. S62-PA...M21/M25/M31/M35) red Laser 645...665 nm (mod. S62-PL)
<b>Setting</b>	sensitivity adjustment trimmer
<b>Operating mode</b>	mono-turn LIGHT/DARK trimmer (mod. S62...RX/PN)
<b>Indicators</b>	yellow OUTPUT LED green STABILITY LED, POWER LED (S62...G)
<b>Output</b>	PNP or NPN N.O./N.C. (mod. S62...PP/NN); NPN/PNP (mod. S62...PN); electromechanical SPDT 250 Vac/30 Vdc (mod. S62...RX)
<b>Output current</b>	100 mA max. (mod. S62...2/5), 2 A max. (mod. S62...1)
<b>Saturation voltage</b>	2 V max. (mod. S62...2/5)
<b>Response time</b>	25 ms (mod. S62...1) 1,5 ms (mod. S62...M3x) 1 ms (mod. S62...2/5-F/G/M2x) 500 µs (mod. S62-PA...2/5-A/B/C/M0x/M1x) 200 µs (mod. S62-PL...B/C/M11) 140 µs (mod. S62-PL...M01)
<b>Switching frequency</b>	20 Hz (mod. S62...1) 330 Hz (mod. S62...M3x) 500 Hz (mod. S62...2/5-F/G/M2x) 1 kHz (mod. S62-PA...2/5-A/B/C/M0x/M1x) 2,5 kHz (mod. S62-PL...B/C/M11) 3,5 kHz (mod. S62-PL...M01)
<b>Connection</b>	M12 4-pole connector, 2 m Ø 4 mm cable vers., 2 m Ø 5 mm cable vers.
<b>Dielectric strength</b>	500 Vac 1 min., between electronics and housing
<b>Insulation resistance</b>	>20 MΩ 500 Vdc, between electronics and housing
<b>Mechanical protection</b>	IP67
<b>Ambient light rejection</b>	According to EN 60947-5-2
<b>Vibrations</b>	0.5 mm amplitude, 10 ... 55 Hz frequency, for each axis (EN60068-2-6)
<b>Shock resistance</b>	11 ms (30G) 6 shock for every axis (EN60068-2-27)
<b>Housing material</b>	ABS
<b>Lens material</b>	PMMA window, polycarbonate lens
<b>Operating temperature</b>	-10 ... 55 °C
<b>Storage temperature</b>	-20 ... 70 °C
<b>Weight</b>	40 g max. conn. vers., 90 max. cable vers.

# DIMENSIONS

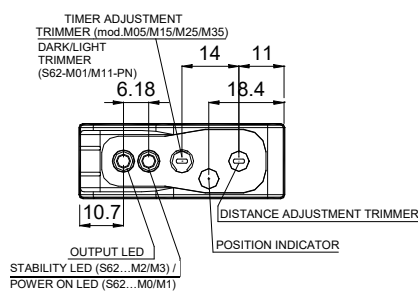
Background suppression



## Laser version

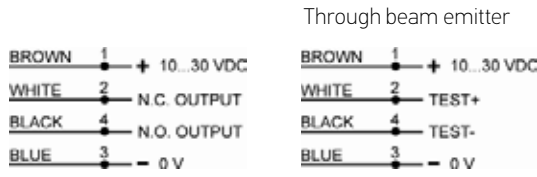


## Led version

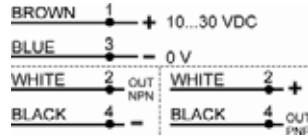


# CONNECTIONS

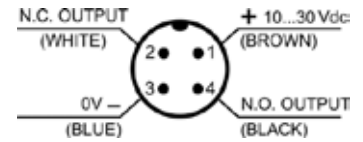
## VDC MODELS



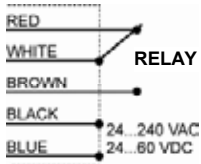
NPN/PNP version



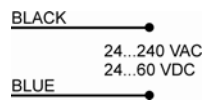
## M12 CONNECTOR



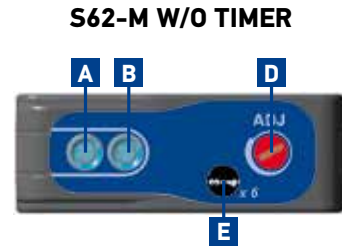
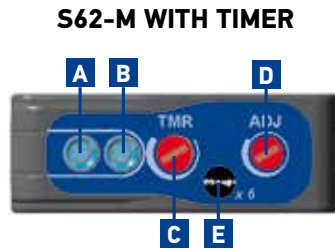
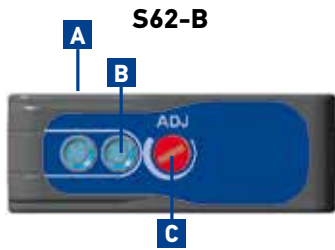
## VAC MODELS



Through beam emitter



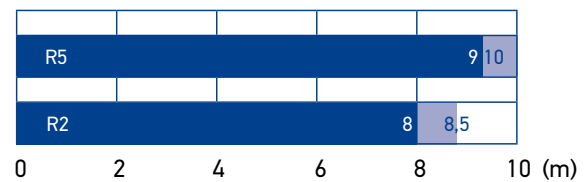
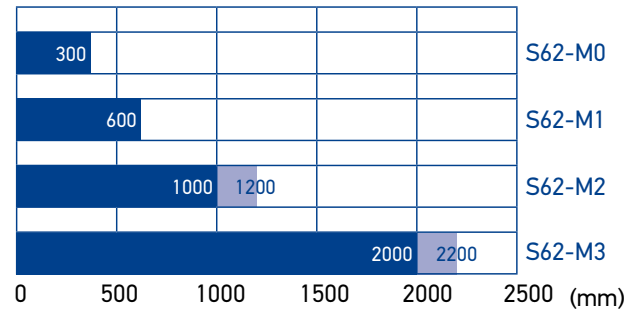
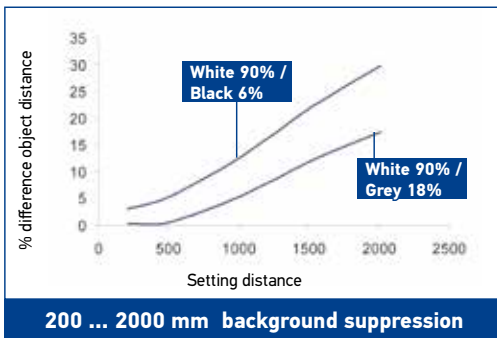
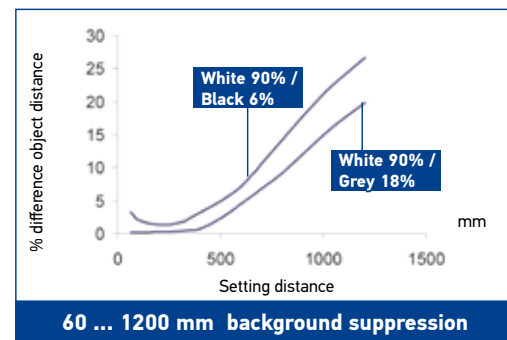
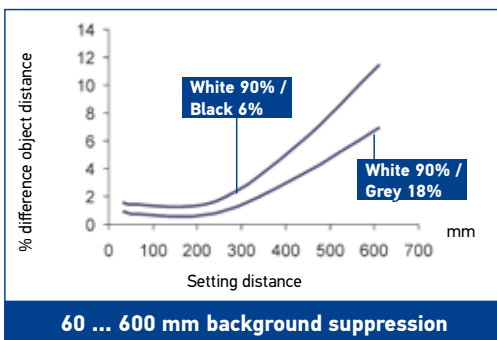
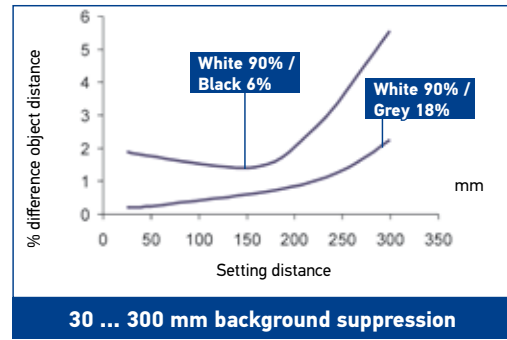
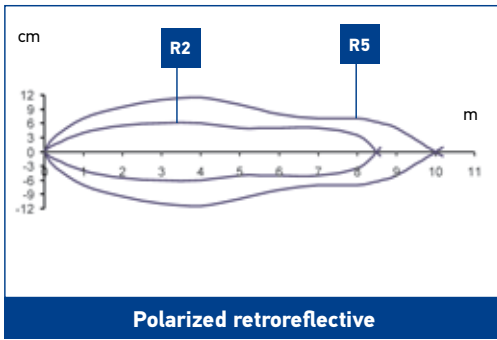
# INDICATORS AND SETTINGS



- A** Output status LED
- B** Stability LED or Power ON LED (laser vers.)
- C** Timer adjustment trimmer

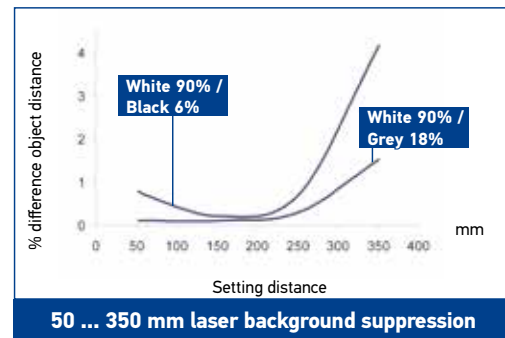
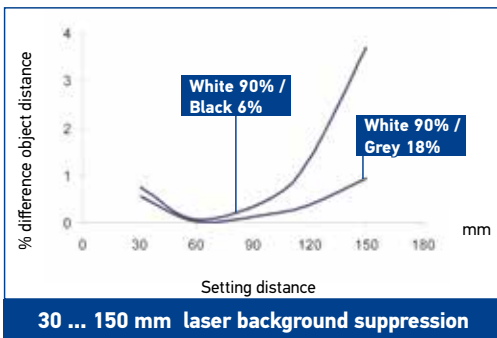
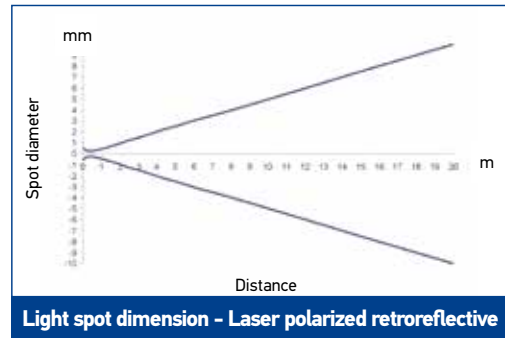
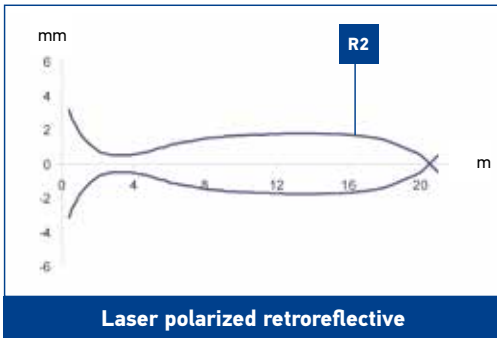
- D** Distance adjustment trimmer
- E** Geared numeric scale
- F** M12 connector output
- G** Cable output

# DETECTION DIAGRAMS OF MODELS WITH LED EMISSION



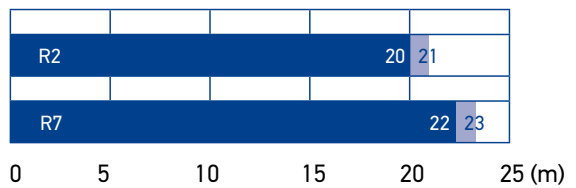
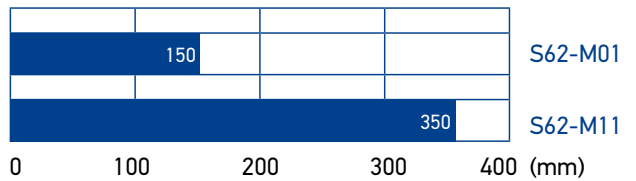
Recommended operating distance  
 Maximum operating distance

# DETECTION DIAGRAMS OF MODELS WITH LASER EMISSION



Reflector operating distances (m)				
R1	R2	R6	R7 / R20	R8
0.3 ... 16	0.3 ... 20	0.4 ... 22	0.3 ... 22	0.2 ... 2

The use of the RT3970 reflecting tape is suggested.

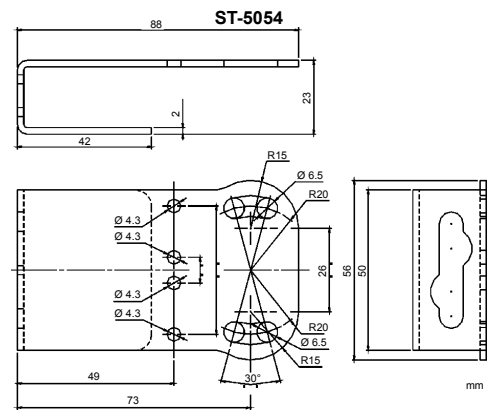
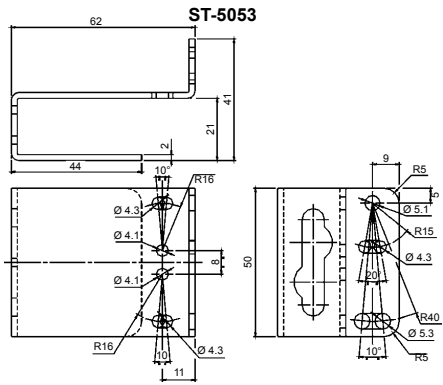
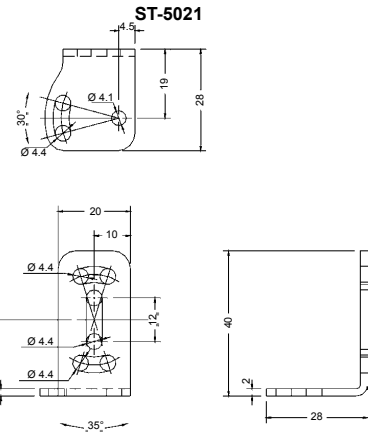
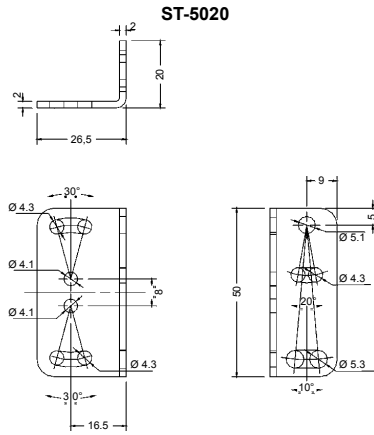
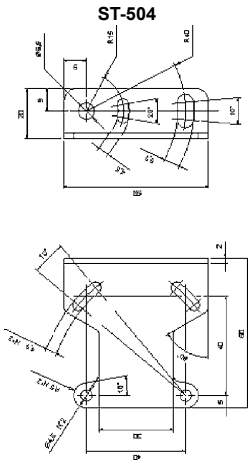


- Recommended operating distance
- Maximum operating distance

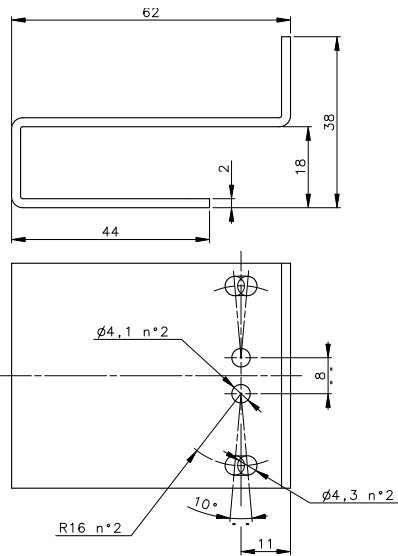
# MODEL SELECTION AND ORDER INFORMATION

OPTIC FUNCTION	EMISSION	CONNECTION	SETTING	OUTPUT	MODEL	ORDER No.		
Retroreflective	LED (red 640nm)	2m Cable	sensitivity trimmer (mono turn)	PNP/NPN	S62-PA-2-A01-PN	956211240		
		M12 Connector		PNP/NPN	S62-PA-5-A01-PN	956211310		
		Vac relay	mono-turn light/dark trimmer	Relay	S62-PA-1-A01-RX	956211180		
Polarized retroreflective	LED (red 640nm)	2m Cable	sensitivity trimmer (mono-turn)	PNP/NPN	S62-PA-2-B01-PN	956211250		
		M12 Connector		PNP	S62-PA-2-B01-PP	956211010		
				NPN	S62-PA-5-B01-NN	956211020		
				PNP/NPN	S62-PA-5-B01-PN	956211320		
	Vac relay	mono-turn light/dark trimmer	PNP	S62-PA-5-B01-PP	956211000			
	LASER	M12 Connector	mono-turn light/dark trimmer	Relay	S62-PA-1-B01-RX	956211190		
				NPN	S62-PL-5-B01-NN	956211100		
			PNP	S62-PL-5-B01-PP	956211110			
Short diffused proximity	LED (red 640nm)	2m Cable	sensitivity trimmer (mono-turn)	NPN	S62-PA-2-C01-NN	956211420		
				PNP/NPN	S62-PA-2-C01-PN	956211260		
		M12 Connector		PNP	S62-PA-2-C01-PP	956211380		
				NPN	S62-PA-5-C01-NN	956211500		
				PNP/NPN	S62-PA-5-C01-PN	956211330		
	Vac relay	mono-turn light/dark trimmer	PNP	S62-PA-5-C01-PP	956211460			
	LASER	M12 Connector	mono-turn light/dark trimmer	Relay	S62-PA-1-C01-RX	956211200		
				NPN	S62-PL-2-C01-NN	956211440		
				PNP	S62-PL-2-C01-PP	956211400		
				NPN	S62-PL-5-C01-NN	956211520		
PNP				S62-PL-5-C01-PP	956211480			
Long diffused proximity	LED (red 640nm)	2m Cable	sensitivity trimmer (mono turn)	NPN	S62-PA-2-C11-NN	956211430		
				PNP/NPN	S62-PA-2-C11-PN	956211270		
		M12 Connector		PNP	S62-PA-2-C11-PP	956211390		
				NPN	S62-PA-5-C11-NN	956211510		
				PNP/NPN	S62-PA-5-C11-PN	956211340		
	Vac relay	mono-turn light/dark trimmer		PNP	S62-PA-5-C11-PP	956211470		
	Through beam receiver	-		M12 Connector	mono-turn light/dark trimmer	Relay	S62-PA-1-C11-RX	956211210
						NPN	S62-PA-2-F01-NN	956211450
						PNP/NPN	S62-PA-2-F01-PN	956211290
						PNP	S62-PA-2-F01-PP	956211410
NPN			S62-PA-5-F01-NN			956211530		
PNP/NPN			S62-PA-5-F01-PN			956211360		
Through beam emitter	LED (red 640nm)	2m Cable	sensitivity trimmer (mono turn)	PNP	S62-PA-5-F01-PP	956211490		
		M12 Connector		Relay	S62-PA-1-F01-RX	956211220		
		Vac relay		mono-turn light/dark trimmer	NPN	S62-PA-2-G00-NN	956211300	
	Background suppression (short distance)	LED (red 640nm)	2m Cable	6 turns distance adjustment trimmer	PNP/NPN	S62-PA-2-G00-XG	956211370	
					M12 Connector	PNP	S62-PA-1-G00-XX	956211230
			M12 Connector		PNP/NPN	S62-PA-2-M01-PN	956211280	
					PNP	S62-PA-2-M01-PP	956201841	
		NPN			S62-PA-5-M01-NN	956201811		
		LASER	M12 Connector		4 turns distance adjustment trimmer	PNP/NPN	S62-PA-5-M01-PN	956211350
						PNP	S62-PA-5-M01-PP	956201831
NPN	S62-PA-5-M05-NN			956201801				
			PNP	S62-PA-5-M05-PP	956201821			
Background suppression (medium distance)	LED (red 640nm)	2m Cable	6 turns distance adjustment trimmer	NPN	S62-PL-5-M01-PN	956211120		
				M12 Connector	PNP	S62-PL-5-M01-PP	956211130	
		M12 Connector		PNP	S62-PA-2-M11-PP	956201891		
				NPN	S62-PA-5-M11-NN	956201861		
	PNP			S62-PA-5-M11-PP	956201881			
	LASER	M12 Connector		6 turns distance adjustment trimmer	NPN	S62-PA-5-M15-NN	956201851	
					PNP	S62-PA-5-M15-PP	956201871	
NPN			S62-PL-5-M11-NN		956211140			
			PNP	S62-PL-5-M11-PP	956211150			
Background suppression (long distance)	LED (infrared 880nm)	2m Cable	6 turns distance adjustment trimmer	PNP	S62-PA-2-M21-PP	956201940		
				M12 Connector	NPN	S62-PA-5-M21-NN	956201910	
		M12 Connector		PNP	S62-PA-5-M21-PP	956201900		
				NPN	S62-PA-5-M25-NN	956201930		
				PNP	S62-PA-5-M25-PP	956201920		
Background suppression (very long distance)	LED (infrared 880nm)	2m Cable	6 turns distance adjustment trimmer	PNP	S62-PA-2-M31-PP	956211050		
				M12 Connector	NPN	S62-PA-5-M31-NN	956211060	
		M12 Connector		PNP	S62-PA-5-M31-PP	956211070		
				NPN	S62-PA-5-M35-NN	956211080		
				PNP	S62-PA-5-M35-PP	956211090		

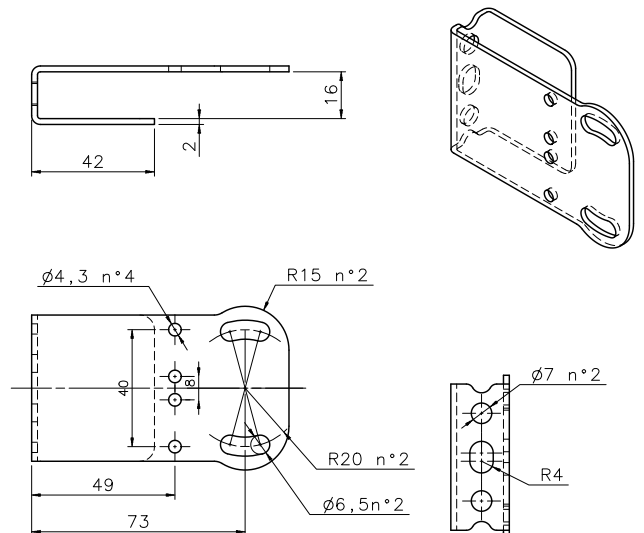
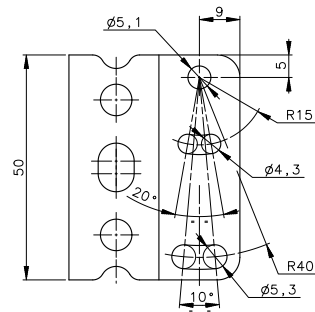
# ACCESSORIES



ST-5018



ST-5019



MODEL	DESCRIPTION	ORDER No.
ST-5018	protective bracket	95ACC5310
ST-5019	protective bracket	95ACC5320
ST-5020	mounting bracket	95ACC5330
ST-5021	mounting bracket	95ACC5340
ST-504	mounting bracket	95ACC2820
ST-5053	protective bracket	95ACC2410
ST-5054	protective bracket	95ACC2420
JOINT-S62	protective bracket with jointed support	95ACC2430

## CABLES

TYPE	DESCRIPTION	LENGTH	MODEL	ORDER No.
Axial M12 Connector	4-pole, grey, P.V.C.	3 m	CS-A1-02-G-03	95A251380
		5 m	CS-A1-02-G-05	95A251270
		7 m	CS-A1-02-G-07	95A251280
		10 m	CS-A1-02-G-10	95A251390
	4-pole, P.U.R.	2 m	CS-A1-02-R-02	95A251540
		5 m	CS-A1-02-R-05	95A251560
Radial M12 Connector	4-pole, grey, P.V.C.	3 m	CS-A2-02-G-03	95A251360
		5 m	CS-A2-02-G-05	95A251240
		7 m	CS-A2-02-G-07	95A251245
		10 m	CS-A2-02-G-10	95A251260
	4-pole, P.U.R.	2 m	CS-A2-02-R-02	95A251550
		5 m	CS-A2-02-R-05	95A251570
Radial M12 Connector with LED (for PNP N.O. sensors)	4-pole, grey, P.V.C.	3 m	CS-A2-12-G-03	95A251400
		5 m	CS-A2-12-G-05	95A251350
		10 m	CS-A2-12-G-10	95A251370
Axial M12 Connector	4-pole, shielded, black, P.V.C.	3 m	CV-A1-22-B-03	95ACC1480
		5 m	CV-A1-22-B-05	95ACC1490
		10 m	CV-A1-22-B-10	95ACC1500
		15 m	CV-A1-22-B-15	95ACC2070
		25 m	CV-A1-22-B-25	95ACC2090
Radial M12 Connector		3 m	CV-A2-22-B-03	95ACC1540
		5 m	CV-A2-22-B-05	95ACC1550
		10 m	CV-A2-22-B-10	95ACC1560
Axial M12 Connector	4-pole, U.L., black, P.V.C.	3 m	CS-A1-02-U-03	95ASE1120
		5 m	CS-A1-02-U-05	95ASE1130
		10 m	CS-A1-02-U-10	95ASE1140
		15 m	CS-A1-02-U-15	95ASE1150
		25 m	CS-A1-02-U-25	95ASE1160
Radial M12 Connector	4-pole, black	Connector- not cabled	CS-A1-02-B-NC	G5085002
		Connector- not cabled	CS-A2-02-B-NC	G5085003

## DATALOGIC PRODUCT OFFERING



Sensors



Hand Held  
scanners



Mobile Computers



Laser Marking  
Systems



Safety Laser  
Scanner



Vision  
Systems



Stationary  
Industrial  
Scanners



Safety Light  
Curtains

Rev. 01, 07/2016