



## Optical Encoder Kit

- Incremental Encoder 250 PPR
- Double Measuring Wheels
- Rotatable Support with Springs
- Standard M12 connector



SENSORS

### APPLICATIONS

- Conveyor speed control
- Linear measurement
- Object positioning
- Stop or cut to length



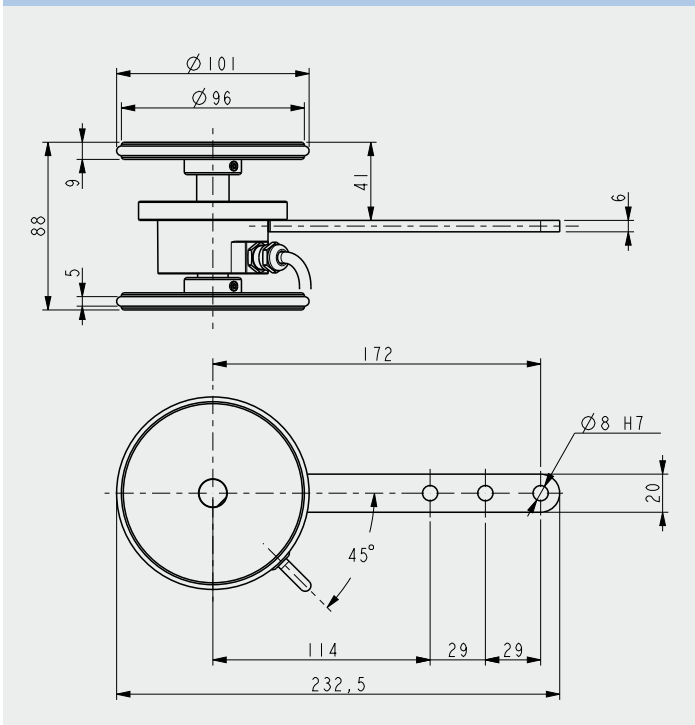
### Electrical Specifications

Supply voltage		5-30 Vdc
Supply current		70 mA max. (no load)
Output voltage		High supply voltage – 2.5 Vdc / Low 1.5 Vdc max.
Output current		40 mA max.
Output circuit		NPN PNP Push-pull and Line Driver
Output signal		Single channel A
Output waveform		50/50 square wave with reduced jitter effect
Protection		ESD, reverse voltage and short circuit
Resolution	Vdc	250 pulses per revolution, 1.27mm (0.05") linear resolution
Rotation speed	PNP	6000 rpm max.
	Counting freq.	100 kHz max.
EMC rating	cable	According to EN61000-4-2 and EN61000-4-4
	Light source	Ga-Al diodes (Life > 100000 hrs)
Connection		M12 4-poles

## MECHANICAL AND ENVIRONMENTAL SPECIFICATIONS

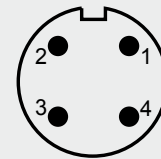
Kit weight	1 kg
Bearing load	100 N max.
Bearing type	109 min.
Bearing material	ABEC 5
Case material	Zamak die cast
Shaft material	Stainless steel non-magnetic UNI EN 4305
Support material	Aluminium anticorrosion UNI EN AW-6082, anodized
Wheel material	Aluminium anticorrosion UNI EN AW-6082 with rubber O-ring
Wheel dimension	Ø 101mm, circumference 317.34mm (O-ring included)
Encoder IP rating	IP64
Temperature	-25° to +85°C (operating/storage) 98% rH non condensing

## MECHANICAL DIMENSIONS



## ELECTRICAL CONNECTIONS

M12 4-poles male connector  
(encoder side view)



Pin 1 – brown wire: +5V 30Vdc  
 Pin 2 – not connected  
 Pin 3 – blue wire: 0Vdc  
 Pin 4 – black wire: Output A

## MODELS AND ACCESSORIES

MODEL	DESCRIPTION	ORDER No.
OEK-4	Encoder Kit PNP 250PPR M12+Spring	95B081810
ACCESSORY CABLES		
CV-A1-22-B-03	M12 connector with 3m shielded cable	95ACC1480
CV-A1-22-B-05	M12 connector with 5m shielded cable	95ACC1490
CV-A1-22-B-10	M12 connector with 10m shielded cable	95ACC1500
CV-A1-22-B-15	M12 connector with 15m shielded cable	95ACC2070
CV-A1-22-B-25	M12 connector with 25m shielded cable	95ACC2090

Note: Accessory cables must be ordered separately