

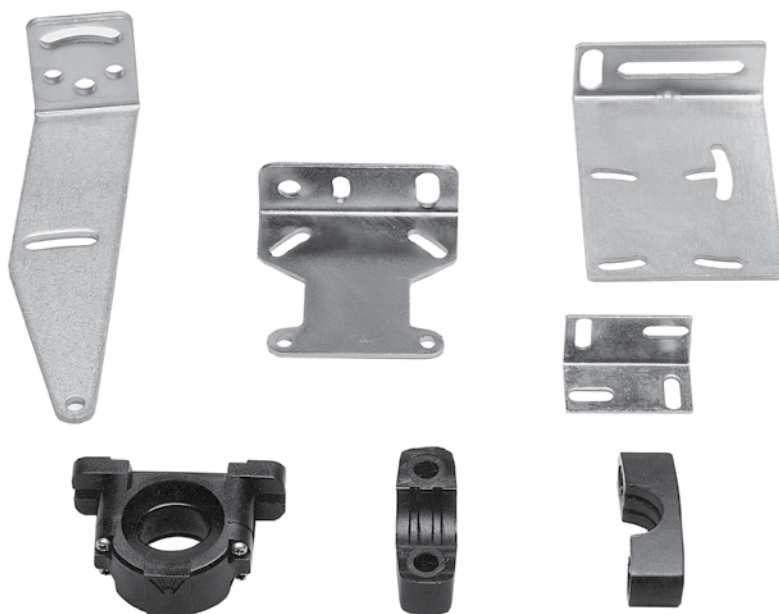
ST SERIES

The **ST** series includes all the fixing brackets and supports available for the fixing of photoelectric sensors.

The 'L' shaped fixing brackets are in metal and present dimensions that guarantee the best sensor fixing, offering the maximum resistance against shocks and vibrations that can alter the positioning.

The holes are multiple or slotted in order to offer the best fixing versatility, even in place of other sensors.

Plastic supports are available for tubular sensors: a fixed and an adjustable support with which the inclination of the sensor's optic axis can be regulated right up to a 15° angle in every direction for a 360° arch.

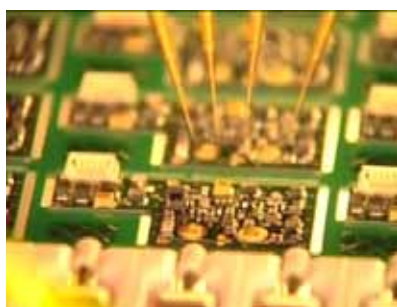


HIGHLIGHTS

- Fixing brackets for universal sensors
- Fixed supports for tubular M18 sensors
- Supports with optic axis regulation
- Good shock and vibration resistance

APPLICATIONS

Electronics



Automatic warehouse



Packaging lines

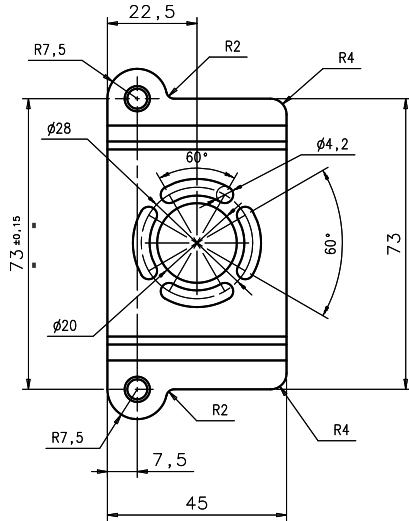


Beverage & Bottling



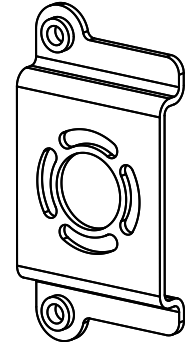
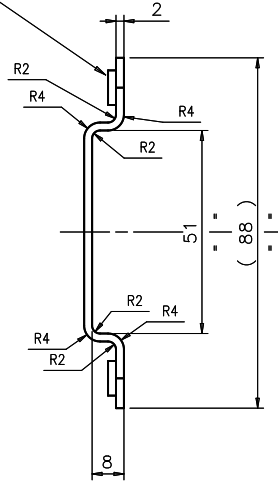
DIMENSIONS

ST-5099
S300 fixing bracket

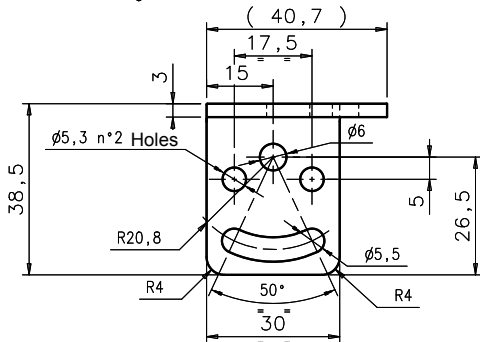
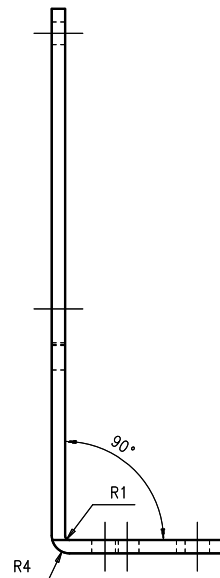
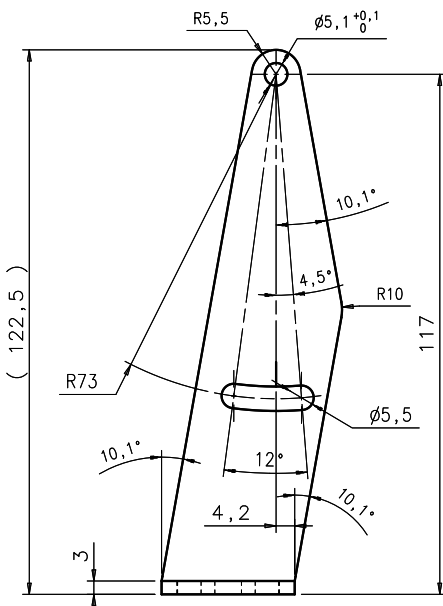


n°2 PEM SS-M5-2
(self clinching nut)

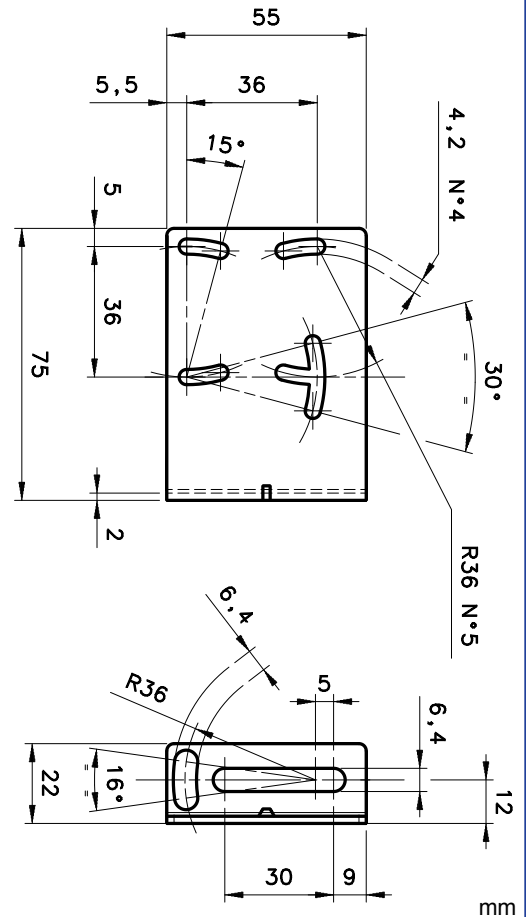
hole size in sheets: $\phi 6.35 +0.08/0$



ST-5100
S300 fixing bracket



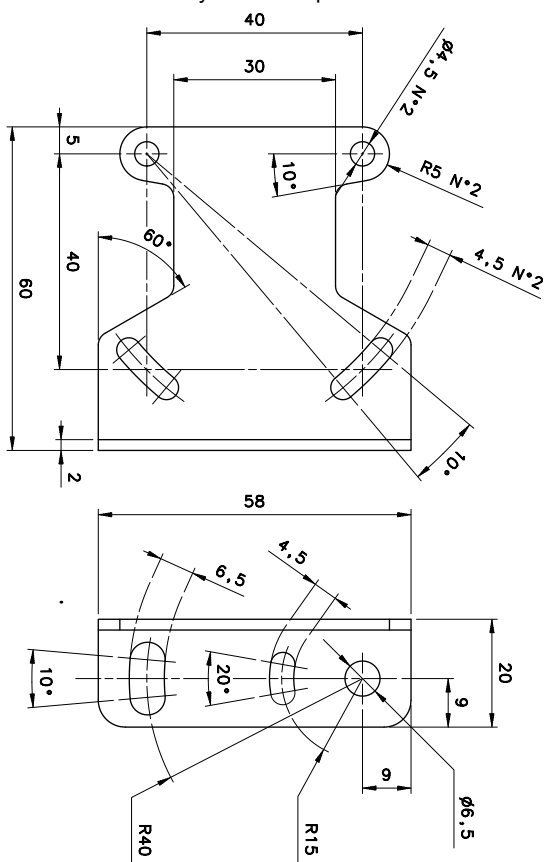
ST-164
S20 fixing bracket
material: yellow zinc-plated steel



DIMENSIONS

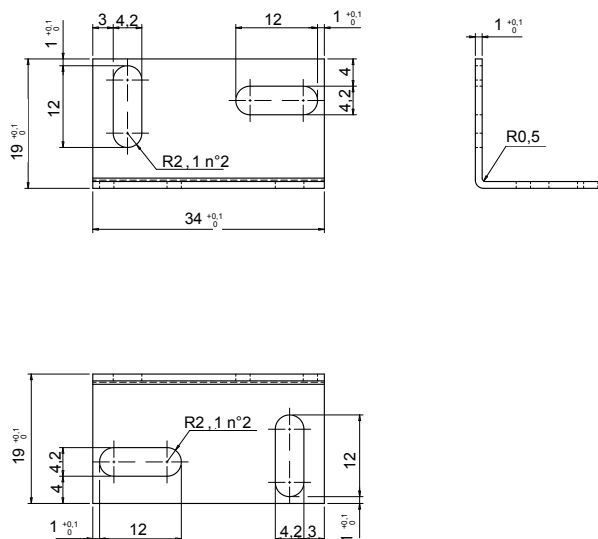
ST-504

S6 fixing brackets
material: yellow zinc-plated steel



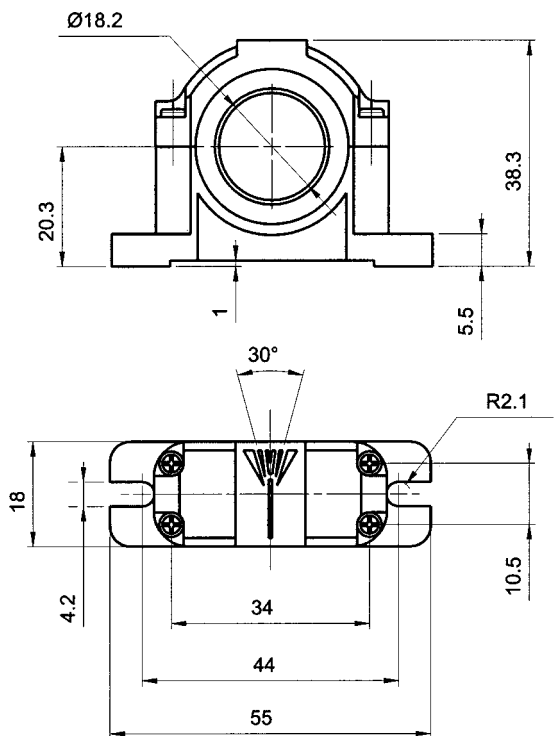
ST-505

S3/S40/S41 fixing bracket
material: yellow zinc-plated steel



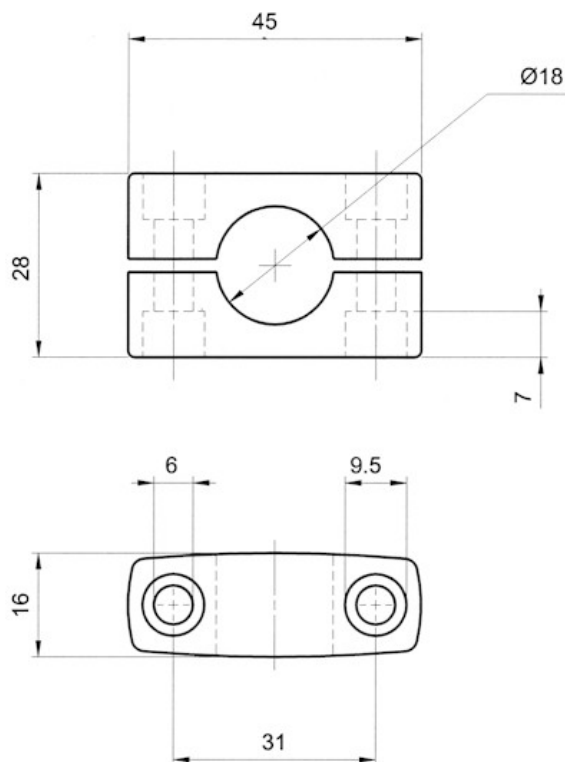
SWING-18

adjustable support for plastic tubular M18 sensors
material: black dilamid



SP-40

fixed support for tubular M18 sensors
material: black durethan



MODEL SELECTION AND ORDER INFORMATION

MODEL	DESCRIPTION	ORDER N°
ST-505	1 pc fixing bracket for S3/S40/S41	95ACC2800
ST-504	1 pc fixing bracket for S6	95ACC2820
ST-164	1 pc fixing bracket for S20	95ACC1340
ST-5099	FIXED BRACKET	95ACC2830
ST-5100	FIXED BRACKET	95ACC2840
SP-40	2 pcs fixed support for tubular M18 sensors	95ACC1370
SWING-18	1 pc adjustable support for plastic tubular M18 sensors	895000006

Note: the fixing bracket for the **S2/S3/S6** series is supplied with the sensor

The company endeavours to continuously improve and renew its products; for this reason the technical data and contents of this catalogue may undergo variations without prior notice. For correct installation and use, the company can guarantee only the data indicated in the instruction manual supplied with the products.