

MICROPROCESSOR-BASED 25 mm SLOT SENSOR



- *Microprocessor-based Teach-in setting*
- *High resolution up to 0.1 mm*
- *Metal housing with scratch-resistant glass lenses*
- *Double NPN and PNP output on M12 connector*

SR25 SERIES

The **SR25** series combines the microprocessor-control precision with the ease and sturdiness typical of all slot sensors, always guaranteeing a perfect emitter-receiver alignment even in the presence of the mechanical support's vibrations.

The infrared emission is concentrated in a very thin beam, offering 0.1 mm precision in the detection of the presence, continuity or the edge shifting of opaque or transparent materials, such as mylar or polyethelene sheets.

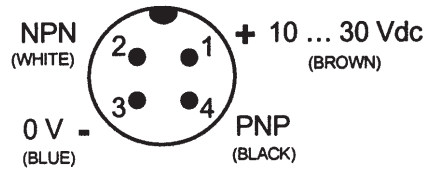
Sensor setting is obtained through the SET push-button, according to a simple and rapid sequence. The green READY LED and the red ERROR LED guide all the setting and autodiagnostic operations; the yellow OUT LED indicates the output status during normal functioning.

The 70 μ s response time offers a switching frequency exceeding 7 kHz, while maintaining excellent precision.

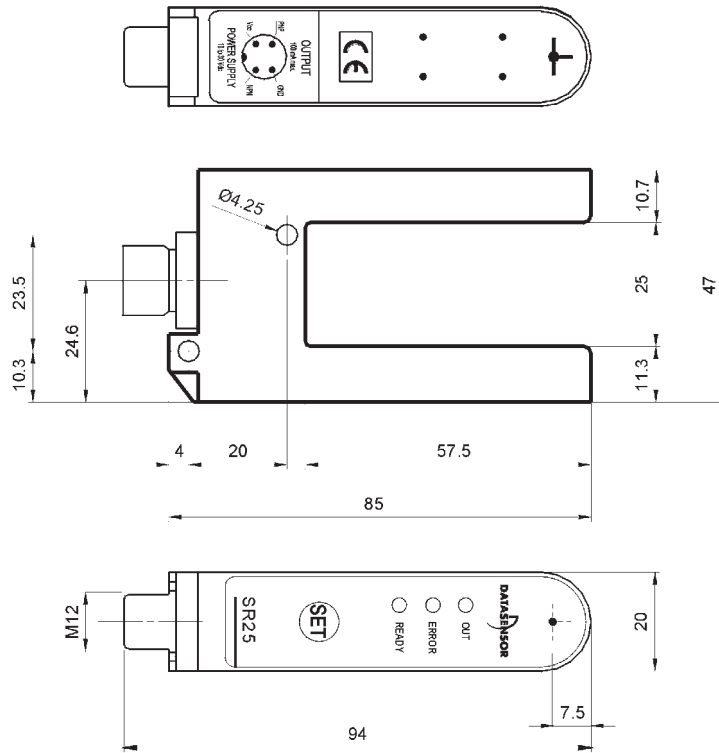
TECHNICAL DATA

Power supply:	10 ... 30 Vdc, reverse polarity protection
Consumption:	55 mA max.
Light emission:	infrared LED 880 nm
Resolution:	0.1 mm
Slot width:	25 mm
Slot depth:	50 mm
Detection point depth:	7.5 mm
Setting:	SET push-button
Indicators:	yellow OUTPUT LED red ERROR LED green READY LED
Output type:	NPN and PNP, Rpull-down/up 10 k Ω
Saturation voltage:	2 V max. (PNP vers.) 1 V max. (NPN vers.)
Output current:	100 mA max., short-circuit protection
Response time:	70 μ s max.
Switching frequency:	7 kHz
Operating mode:	dark/light configurable
Connection:	4-pole M12 connector
Electrical protection:	class 1
Mechanical protection:	IP65
Housing material:	anti-corodal aluminium
Lens material:	glass
Weight:	66 g max.
Operating temperature:	0 ... +55 $^{\circ}$ C
Storage temperature:	-20 ... +70 $^{\circ}$ C
Reference standard:	EN 60947-5-2
Certifications:	CE

CONNECTIONS



DIMENSIONS





MODEL SELECTION AND ORDER INFORMATION

MODEL	EMISSION	DETECTABLE OBJECT ^(*)	CODE N°
SR25-AR	infrared	opaque or transparent (presence/absence)	953251000

^(*) *Transparent: object that integrally transmits the incident light without evident alterations.
Opaque: object that does not transmit the incident light.*

Distributed by:

HEADQUARTERS

DATASENSOR SpA
via Lavino, 265 - 40050 Monte San Pietro, BO - Italy
Tel. +39 051/6765611 • Fax +39 051/6759324
www.datasensor.com • e-mail info@datasensor.com

Datasensor SpA endeavours to continuously improve and renew its products; for this reason the technical data and contents of this catalogue may undergo variations without prior notice. For correct installation and use Datasensor SpA can guarantee only the data indicated in the instruction manual supplied with the products.

SLOT SENSORS